



profile

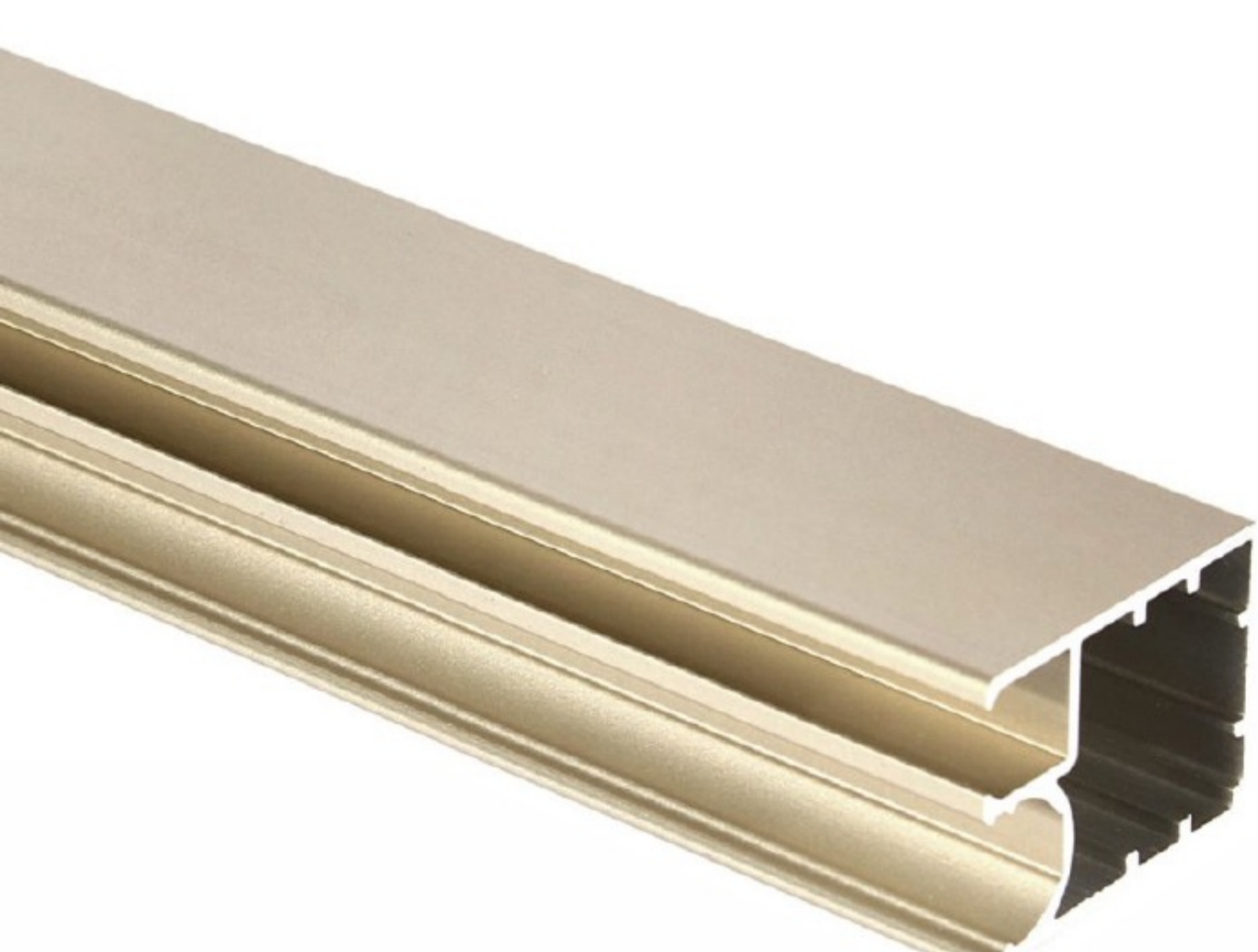
ROMA

ROMA

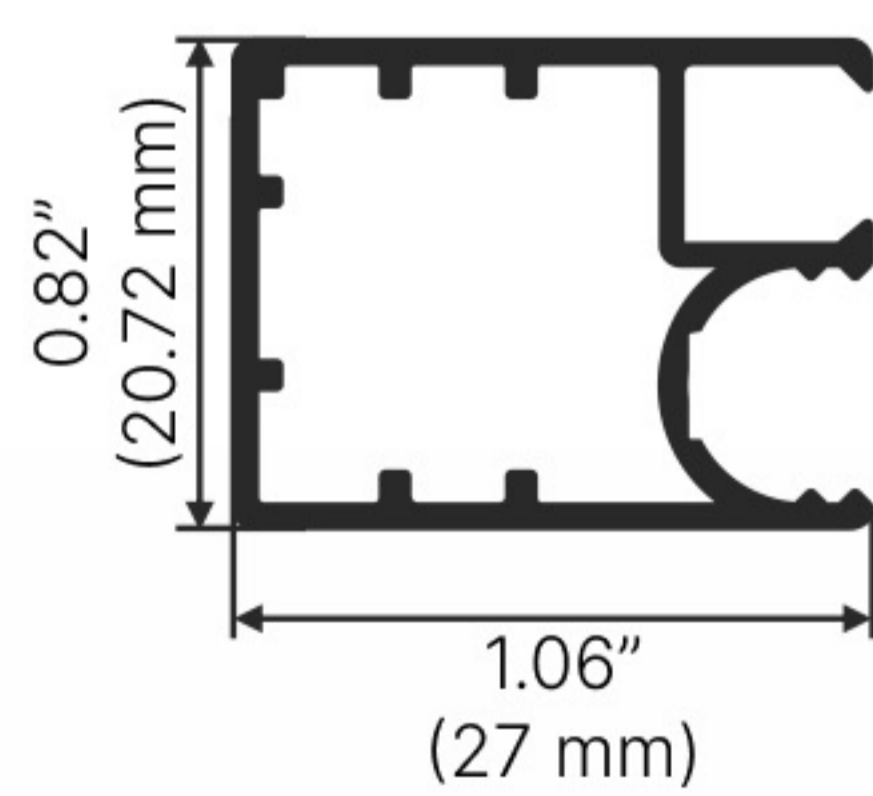


profile

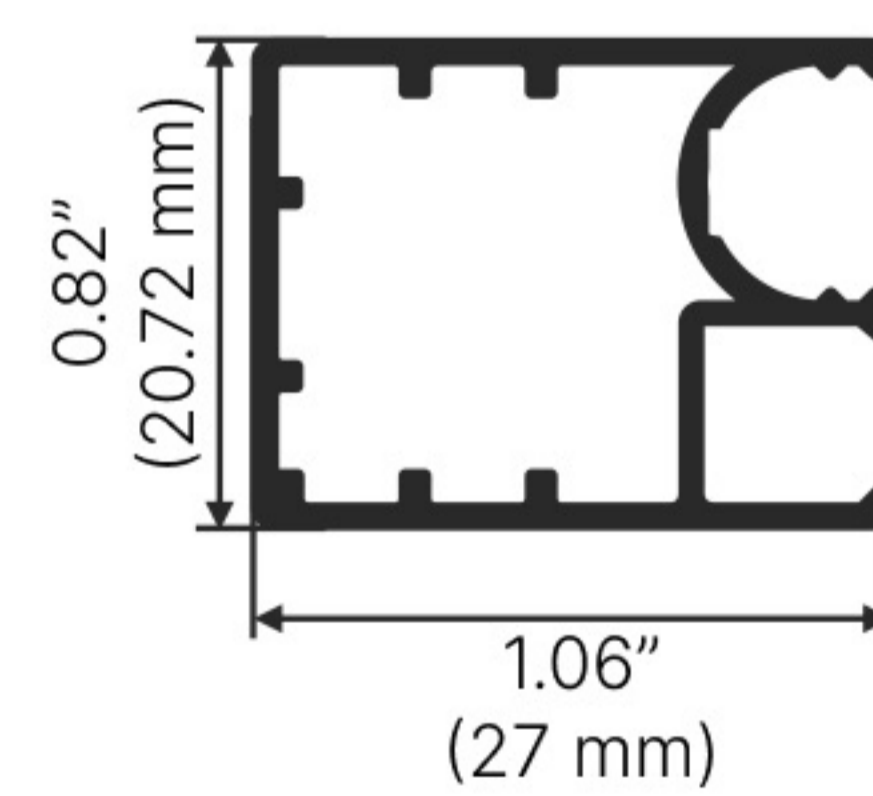
ROMA



ROMA

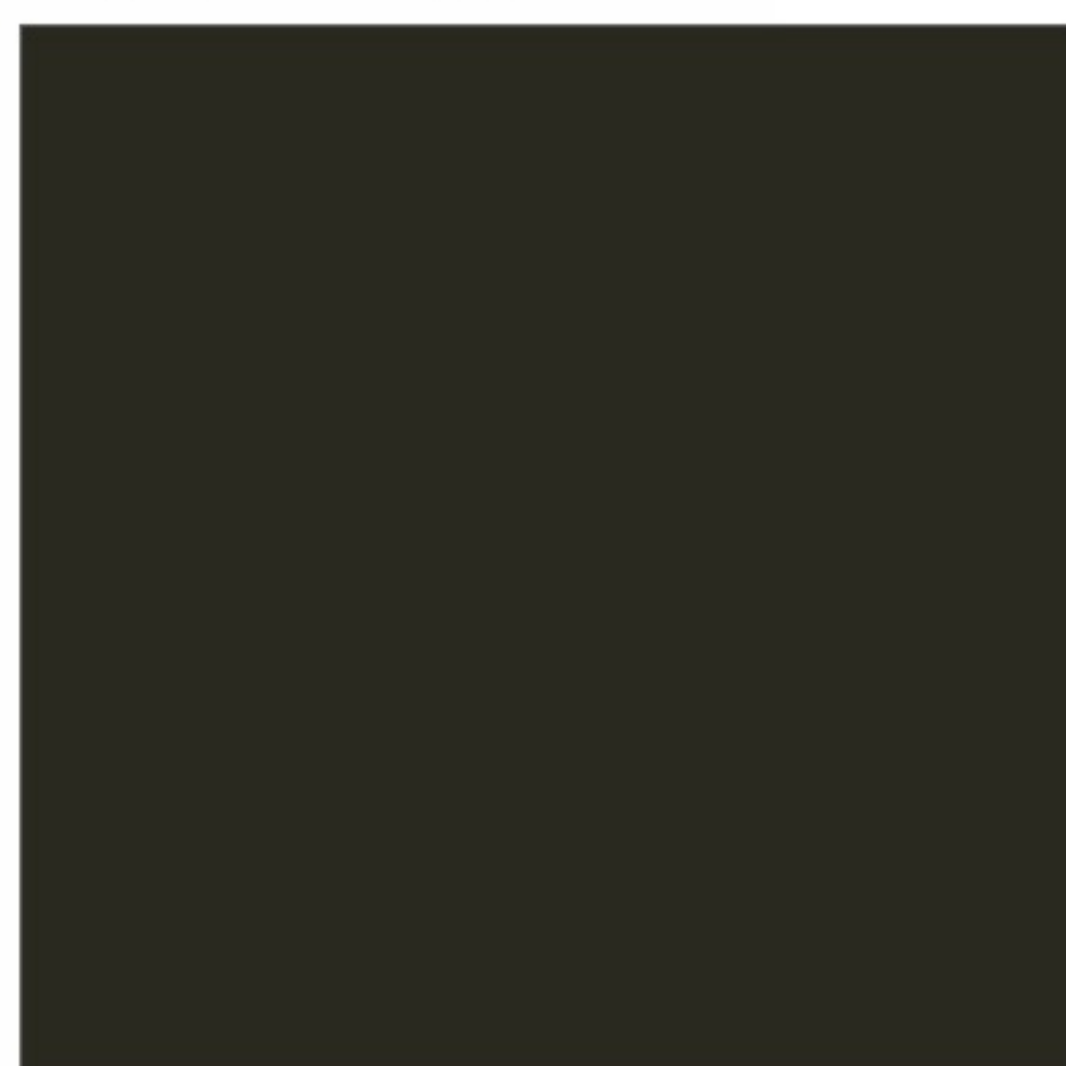


ROMA GRIP

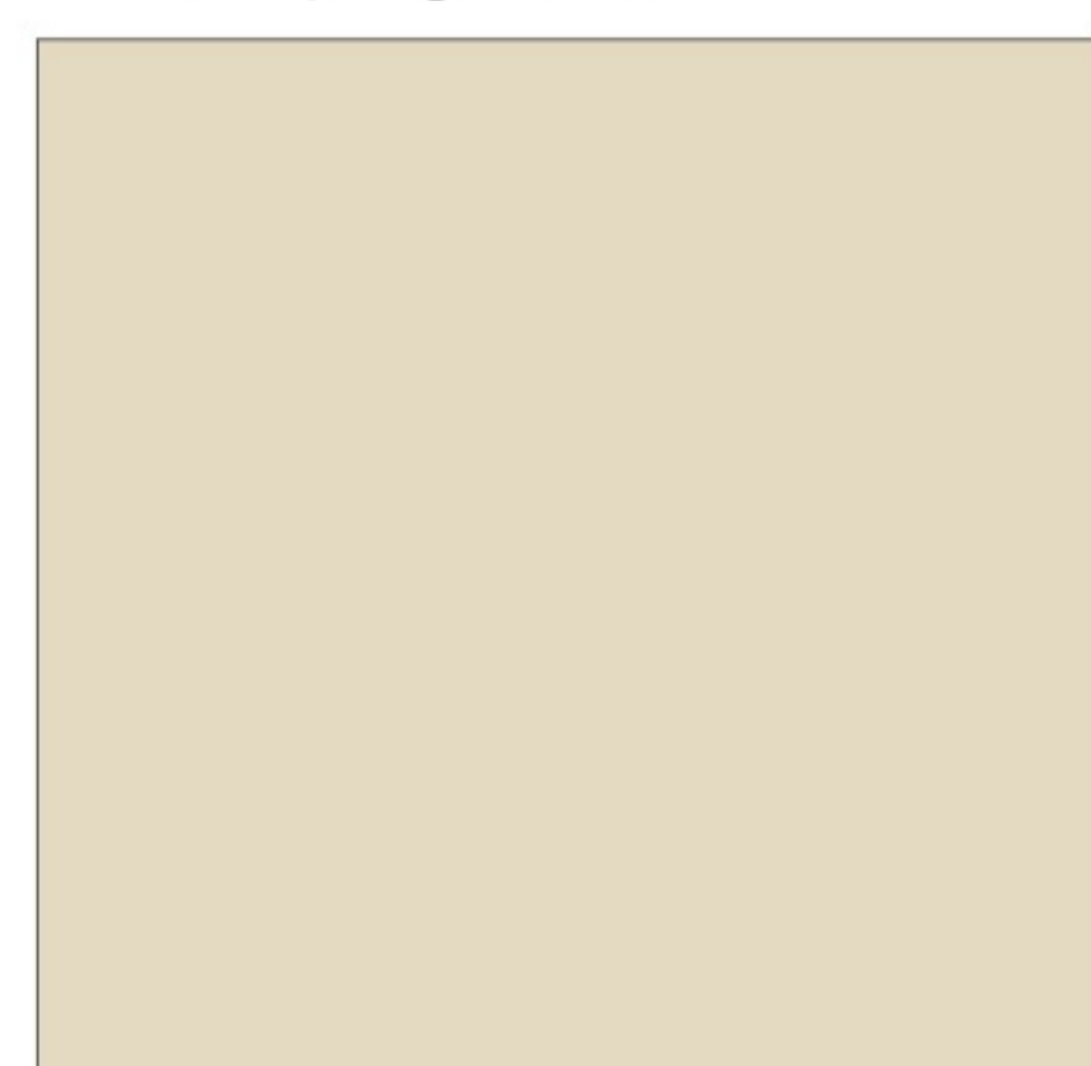


Profile Available in 2 finishes

Black Matte



Champagne Gold





ROMA

ROMA HANDLE

Aluminum door for fittings with hidden hinges

Maximum dimensions of front with hidden hinges:
108.27" x 23.62" (**2750 × 600 mm**)

The maximum weight of the front with hidden hinges is 44 lb (**20 kg**)



ROMA

Maximum **width 35.4" (900 mm)**

Maximum **depth 15.7" (400 mm)**

Maximum **load 11 lb (5 kg)**

Glass Thickness $\frac{5}{32}$ " (4 mm)

